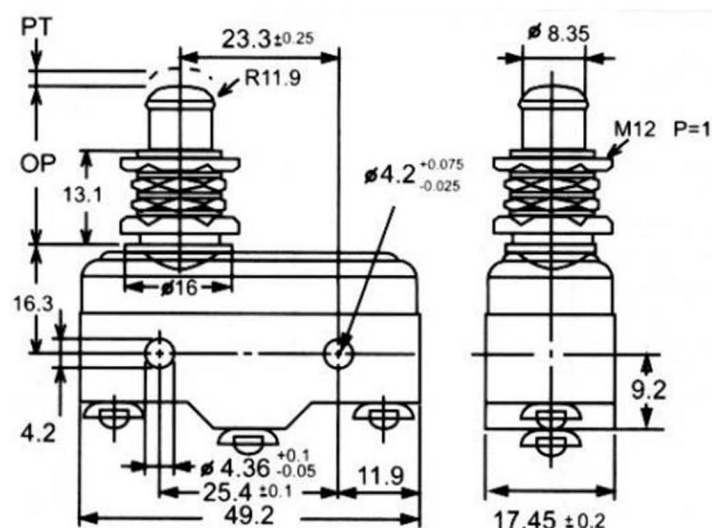


Z-15GQ



Features :

General Standard

Specifications:

Operating Frequency: 0.01mm-1m/sec

Rated Voltage/Current: 15/600VAC(UL file 240199)

Service Life: Mechanically 1×10^7 (operations)
Electrically 5×10^5 (operations)

Operating Temperature: about $-25 \sim +80$ ($-4 \sim +176$)

Humidity: <95%RH

Degree of protection: IP00/IP63

Dielectric Strength:

1000VAC for 1 min between current carrying parts

2500VAC for 1 min between non-current carrying parts

Z-15GQ

Operating Characteristics

- | | | | |
|---------------------|-------|---------------------|------------|
| ● OF _{max} | 3.43N | ● OT _{min} | 5.5mm |
| ● RF _{min} | 1.12N | ● MD _{max} | 0.05mm |
| ● PT _{max} | 0.4mm | ● OP | 21.8±0.8mm |